



**THE REAL PRIVATE TEACHERS' VOICE EXAMINATIONS BOARD**  
**NEXT TO PRIMARY LEAVING EXAMINATIONS – 2022**  
**THE VERIFIED UNEB BLUE PRINT ITEM (FIVE)**

**MATHEMATICS**

*Time allowed: 2 Hours 30 Minutes*

BASED ON  
THE  
PRIMARY SCHOOL  
ABRIDGED CURRICULUM  
FOR UGANDA

Index no:

Random No					Personal No				

Candidate's name: .....

Candidate's signature: .....

School: .....

District: .....

**Read the following instructions carefully**

1. This paper is made up of two sections: **A** and **B**.
2. Section **A** has **20** questions (**40 marks**).
3. Section **B** has **12** questions (**60 marks**).
4. Answer ALL questions in both sections **A** and **B**.
5. All answers **MUST** be written in the space provided  
In blue or black ball point pens or ink. All diagrams  
Should be in pencil.
6. Unnecessary crossing of answers will lead to loss of  
Marks.
7. Poor hand writing which cannot be easily read,  
May lead to loss of marks.

FOR EXAMINERS' USE ONLY		
Qn.No	MARKS	SIGN
1–10		
11–20		
21–22		
23–24		
25–26		
27–28		
29 – 30		
31 - 32		
<b>TOTAL</b>		

**The Real Private Teachers' Voice Examinations Board 2022.**

Tel: 0782-927840/0704-816448/0741-126776

**REAL PRIMARY LEAVING EXAMINATIONS 2022**

Rely on us for weekly, monthly, Beginning of term, midterm and End of term tests. Pre-mocks, Mocks and Pre-PLE Examinations.

**OUR PROMISE** We are here to ease P.L.E for you. We are ready to **SERVE** you till the last minute.

**We are Approachable, Reliable and Affordable**



**SECTION A (40 MARKS)**

1. Workout  $6 + 4 \times 6$

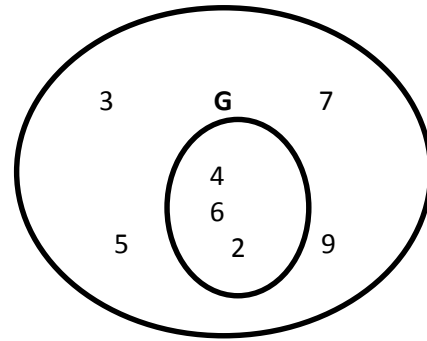
3. If today is Tuesday, what day of the week was it **50** days ago?

4. The lowest common multiple (L.C.M) of two numbers **16** and **K** is **48** and their greatest common factor (G.C.F) is **4**. Find the value of **K**.

7. Find the sum of the next two numbers in the sequence. **1, 3, 6, 10**, \_\_\_\_\_, \_\_\_\_\_

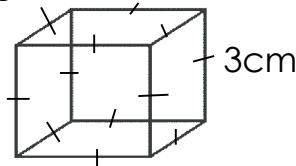
9. Find the value of **2** in **4213**<sub>five</sub>

2. Use the venn diagram to find  $n(G)$ <sup>1</sup>



5. Express  $\frac{1}{4} : \frac{1}{4}$  as a percentage.

6. Find the total surface area of the figure below.



8. A birthday party started at **4:30**<sub>pm</sub> and lasted for **2<sup>3</sup>/<sub>4</sub>** hours. At what time did the party end?

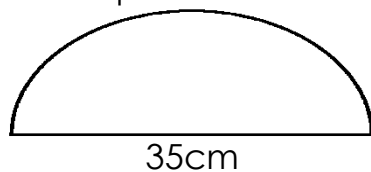
10. What number has been expanded to give **2.75 x 10<sup>-3</sup>** ?



11. In a taxi park there are **144** cars. The Probability that a car picked at random from the park is made in Japan is  $\frac{3}{8}$ . How many cars are not made in Japan?

15. The temperature of a place in the morning was  $-10^{\circ}\text{C}$ . During the day it has risen by  $5^{\circ}\text{C}$ . Find the new temperature.

16. Find the perimeter of the figure below.



19. John sold a bull at Shs **1,200,000** and made a loss of **20%**. Find the buying price of a bull.

12. What number is exactly half way between **4.5** and **5.5**

13. Subtract **2 - n** from **2n - 4**

14. Four men slash a school compound in **12** days, how many men can do the same piece of work in **2** days?

17. Job and Bob share pocket money in the ratio of **2:3** respectively. If Bob got Shs 15,000. How much was the pocket Money?

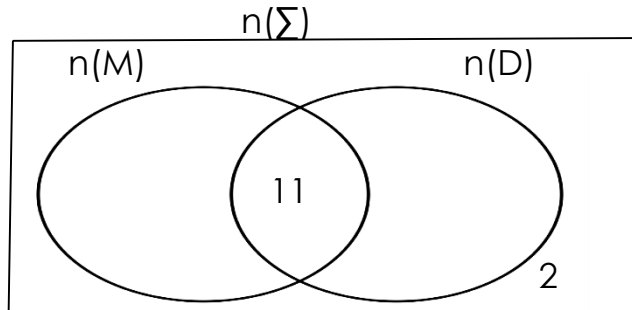
20. Juma is facing West direction. If he turns anticlockwise direction through an angle of **135 $^{\circ}$** , In which direction will he be facing?



## SECTION B (60mks)

21. At a farewell party of **36** candidates, **k** candidates like Music (**M**) only, **11** candidates liked both Music and Drama (**D**), **22** candidates like Drama, while **2** candidates liked neither Music nor Drama.

a). Show the above information on a venn diagram. (2mks)



b). Find the value of **k**. (3mks)

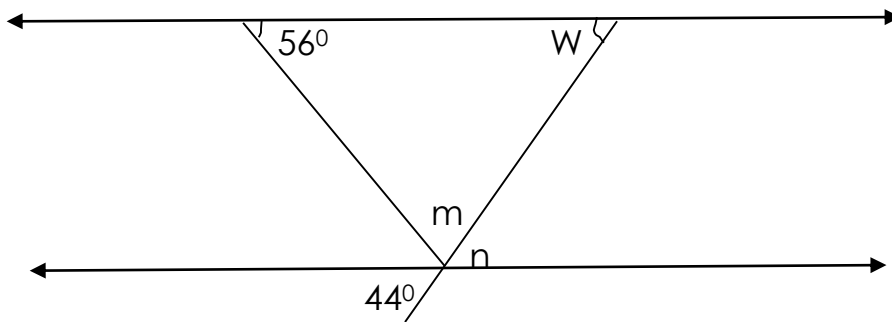
22a). Simplify  $\frac{3.6 - 2.52}{0.4 \times 0.018}$  (3mks)

b). Express **0.1666**----- as a common fraction in its lowest terms. (2mks)

23. Barbara's age is  $\frac{1}{3}$  that of her sister's age now. In six years' time, the sister's age will be twice that Barbara. How old is each now? (5mks)



24. Study the figure below and use it to answer the questions that follow.



a). Find the size of:

(i) angle **m** (2mks)

(ii) angle **n** (1mk)

(iii) angle **w** (2mks)

25. The table below shows how the rate at which different currencies were sold and bought in commercial banks during the month of June. Study and use it to answer the questions that follow.

CURRENCY	BUYING IN Ugsh	SELLING IN Ugsh
1 US dollar(\$)	3,700	3,800
1 Euro (£)	4,300	4,500
1 Kenya(Ksh)	24	25

a). How many Euros did James get for Ugsh **639,000**? (2mks)

b). A tourist came from USA with **520** US dollars and exchanged for Kenya shillings, how much **Kshs** did he get? (3mks)



26. At St. Bethel Training Academy, the siren for females' roll call sounds after every **35** minutes while that of male trainee sounds after **45** minutes.

a). After how many minutes do both sirens sound at the same time? (3mks)

b). If the sirens sounded together at **11:30<sub>am</sub>** for the second time, at what time did they sound together for the first time? (2mks)

27. Joan bought the following items:

**4**kg of sugar at Shs**2,000** per **500**g.

**1** $\frac{1}{2}$  litres of milk at Shs**1,500** per litre.

**4** exercise books at Shs**6,000** for a dozen.

a). How much did she spend altogether? (3mks)

b). If Joan went with a fifty thousand note, how much was her change?

28. a). The interior angle of a regular polygon is **5** times its exterior angle. Find the size of its exterior angle. (3mks)



b). How many sides has the polygon? (2mks)

c). Calculate the sum of its interior angles. (2mks)

29a). A farmer collects **50** grosses of eggs per day. How many trays does he collect per day if each tray carries **30** eggs? (2mks)

b). If each tray costs Shs**10,000**, how much money does he get in a week? (2mks)

30. A man spent  $\frac{1}{3}$  of his salary on buying drinks and  $\frac{1}{2}$  of it on buying of food. If he spent **25%** of the remainder on rent and was left with Shs**60,000**.

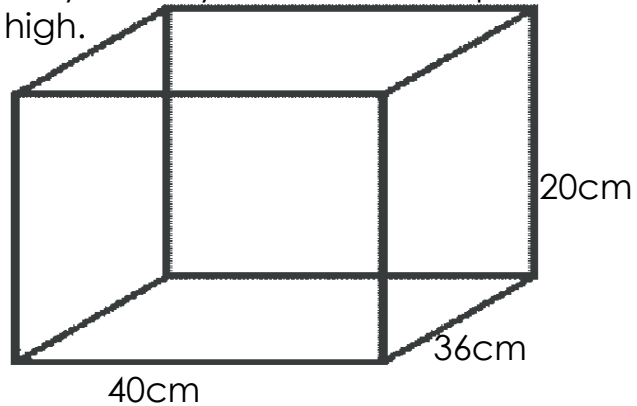
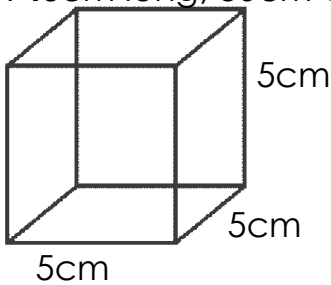
a). How much was his salary? (3mks)

b). How much money did he spend he spend on rent? (2mks)



31. Jacob drove his car from town **K** to town **Y**. If his car tyres have diameter of **28cm** and moved **5000** revolutions to cover the distance between two towns. Find the distance between town **K** and town **Y** in kilometers. (4mks).

32. Pieces of soap each measuring **5cm** by **5cm** by **5cm** are to be packed in a big box **40cm** long, **36cm** wide and **20cm** high.



a). How many pieces of soap can be packed in the big box? (2mks)

b). Calculate the volume of the space left empty after the pieces of soap have been packed in the big box. (3mks)

